



World's Leader in BOF Furnace Technology, Solutions, and Equipment

For over 65 years, we have earned a strong reputation for continuous development, quality products, dependable deliveries, and knowledgeable repair services.



Berry 
METAL COMPANY

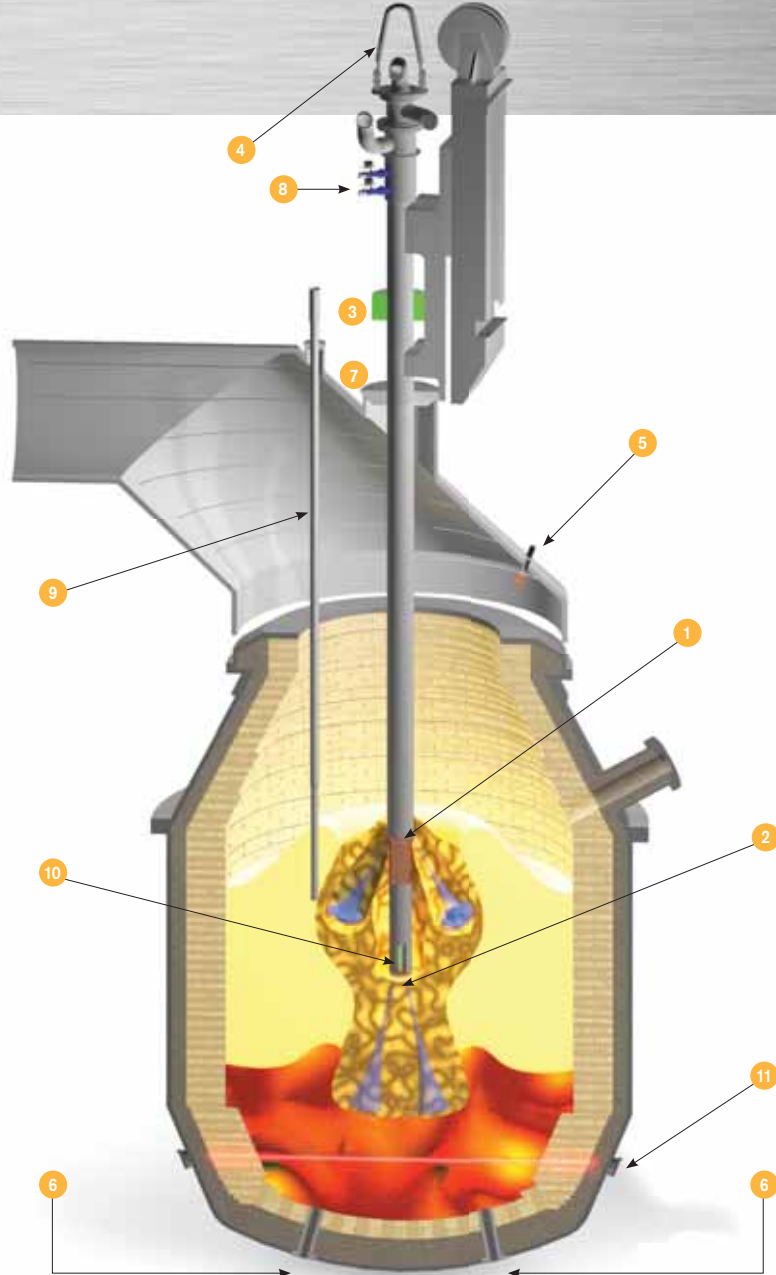
Advanced Iron & Steelmaking TECHNOLOGIES

WWW.BERRYMETAL.COM

We don't just say it, we do it!



BASIC OXYGEN FURNACE PRODUCTS



- 1 Split Flow and Double Flow Post Combustion**
Designed to maximize heat energy in the furnace while reducing/eliminating build-up on lances, mouth, and cone areas.
- 2 BOF Lance Tips — Cast and Forged**
Engineered and designed for optimum performance and service life.
- 3 Antislop Slop Detection System (in conjunction with Tenova)**
Notifies the user before a slopping event occurs and self corrects itself to avoid the slop, resulting in yield improvements and additional production.
- 4 Lance Carriage**
Complete engineering and repair services.
- 5 IR Cameras for the BOF Process**
Improved safety and reliability of BOF Process from being able to view areas that are difficult for visual inspection.
- 6 Bottom Injection Tuyeres**
Oxygen injection / bottom stirring / complete engineering for optimal performance.
- 7 Hood Plug with Nitrogen Plugs**
Better sealing of the Hood Lance opening, resulting in improved environmental performance and reduced furnace emissions.
- 8 Sentinel® Water Leak Detection System**
Designed to measure total water flow rate and detect / notify the user of any water leaks.

- 9 Sublance**
Complete engineering, design, construction, and repairs.
 - 10 Internal Pyrometer to Measure Inside of Lance Tip**
Non-contact thermocouple installed inside lance body to optimize blow height for improved performance and tip life.
 - 11 Continuous Bath Temperature Measurement**
Improved performance, optimal reliability, and reduction in operating costs.
- **BOF Lime Injection**
Optimize lime usage, save raw material costs, and increase efficiency.
 - **BOF Process Improvement**
Process improvement consulting.

Repair and Recondition

- Two repair locations: Harmony, PA and LaPorte, IN
- ISO: 9001:2008 certified
- Specialty copper and copper to steel welding
- On-site copper repairs

Hydraulic & Electrical Control Systems
PLC & Programming, Electrical Enclosures, Hydraulic Power Units, Hydraulic Valve Stands, System Design

Engineering Services
Engineering, CFD & FEA Analysis, Drafting, Technical & Site Services



Maximizing Technology for a Competitive Advantage

Competing in today's steelmaking industry means increasing productivity and lowering costs through the implementation of new technologies.

Today, Berry Metal Company — a technological leader — is much more than a manufacturer of Basic Oxygen Furnace products. Our customers rely on us to bring the latest technologies to their operations, improving performance, safety, and profitability. **We're a solutions provider.**



Berry 
METAL COMPANY

Advanced Iron & Steelmaking TECHNOLOGIES

LOCATIONS IN
HARMONY, PA AND LAPORTE, IN
TEL: 724-452-8040
WWW.BERRYMETAL.COM